

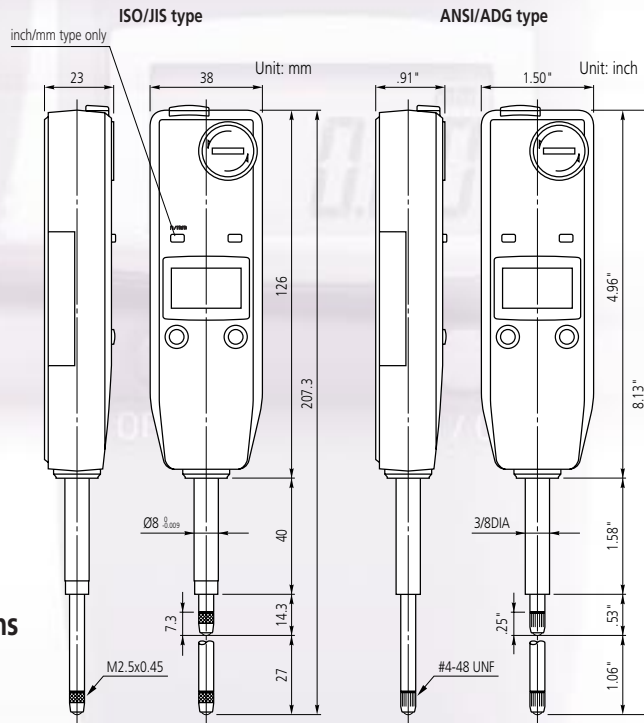


575-123

1"/25.4mm range mode with slim body design

Technical Data

- Display: LCD
- Functions: Origin setting, Power on/off, inch/mm conversion (inch/mm type), Counting direction switching, SPC data output
- Battery: SR44 (1pc.) (938882)
- Battery life: 20,000 hours in continuous use
- Stem diameter: 3/8" (ANSI/AGD type) or 8mm (ISO/JIS type)
- Contact point: Carbide ball (ISO/JIS type) or steel ball (ANSI/AGD type)
- Measuring force: 1.8N or less
- Dust-water protection level: Conforming to IP42
- Alarm: Low battery voltage, Scale contaminations
- Operating temperature: 0°F to 104°F (0°C to 40°C)
- Mass: .31 lbs./140g



Dimensions

Specifications (ISO/JIS type)

Order No.	Accuracy	Resolution	Range
575-121	0.02mm	0.01mm	25.4mm
575-122	.0008"	.0005"/0.01mm	1"/25.4mm

Specifications (ANSI/ADG type)

Order No.	Accuracy	Resolution	Range
575-123	.0008"	.0005"/0.01mm	1"/25.4mm

**1"/25.4mm, 2"/50.8mm range models
Multipurpose design**



543-558A

2"/50.8mm range model