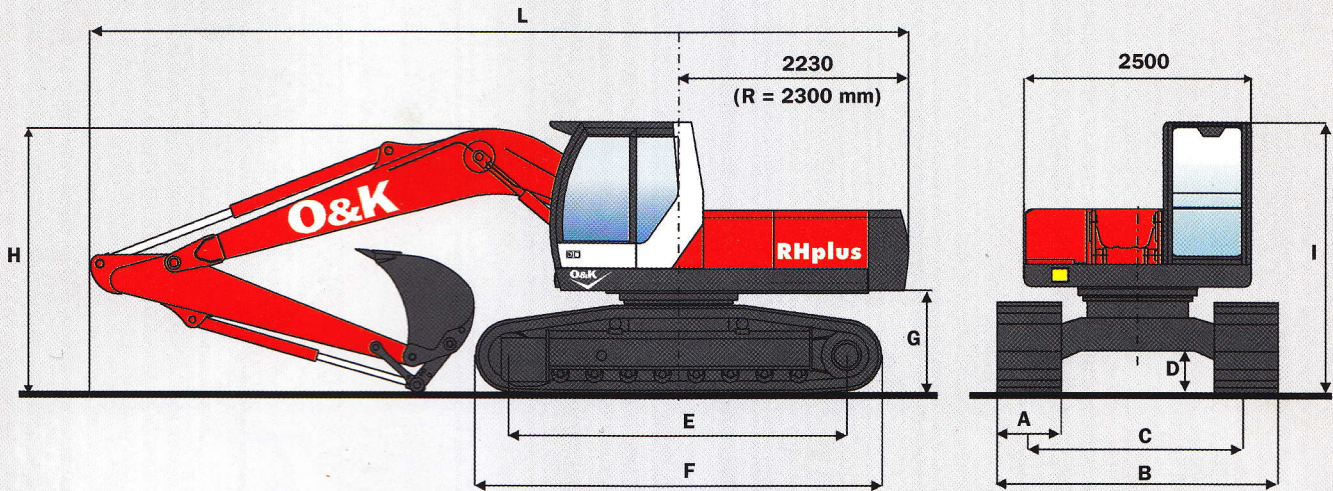


Dimensions and weights



	A	B	C	D	E	F	G	I
RH plus N 500	500	2496	1996	393	3375	4130	1080	2970
RH plus N 600	600	2596	1996	393	3375	4130	1080	2970
RH plus N 700	700	2696	1996	393	3375	4130	1080	2970
RH plus LC 500	500	2740	2240	454	3375	4130	1100	2990
RH plus LC 600	600	2840	2240	454	3375	4130	1100	2990
RH plus LC 700	700	2940	2240	454	3375	4130	1100	2990

Transport dimensions, monoboomb

Sticks	L	H
1,7 m	7850	2750
2,5 m	7850	2950
2,9 m	7900	3100
3,5 m	8000	3250*

Transport dimensions, adjustable boom

Sticks	L	H
1,7 m	8400	2550
2,5 m	8410	2700
2,9 m	8360	2850
3,5 m	8280*	3050*

* excl. backhoe

	kg	kg	Track size	Crawler		kg/cm ²	kg/cm ²
	Weight ¹⁾	Weight ²⁾		Track rollers	Upper rollers	Ground pressure ¹⁾	Ground pressure ²⁾
RH plus N 500	up to 15,500	up to 15,250	D4D	7	2	0.48	0.50
RH plus N 600	up to 15,750	up to 15,500	D4D	7	2	0.41	0.43
RH plus N 700	up to 16,000	up to 15,750	D4D	7	2	0.35	0.37
RH plus LC 500	up to 16,050	up to 15,600	D4D	8	2	0.44	0.46
RH plus LC 600	up to 16,300	up to 15,850	D4D	8	2	0.37	0.39
RH plus LC 700	up to 16,550	up to 16,100	D4D	8	2	0.32	0.34

¹⁾ RHplus with 4.6 m monoboomb, 2.5 m stick and bucket (390 kg)

²⁾ RHplus with 3.3 m adjustable boom, 2.5 m stick and bucket (390 kg)